


PRODUCT SHEET

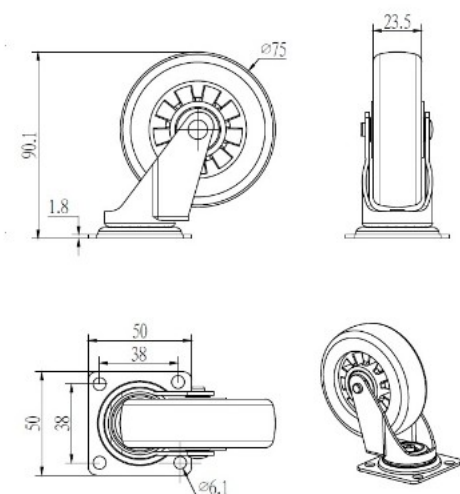
Description:

Fork Castor $\varnothing 75\text{mm}$, W/Top PL 50x50x1,8mm, Green PU, cc 38x38mm

Item number:

08.12.316-0

Units	Box	Carton	HS Code	Barcode
Pcs.	8	80	8302200090	
				5704866006583



SISO A/S

Mileparken 11
DK-2740 Skovlunde
Denmark
VAT: DK 24786013

Phone +45 45 830 900

www.siso.dk
siso@siso.dk

Danske Bank
Nytorv Branch
Copenhagen
SWIFT: DABADKKK

Account no.
4180 3112 112936
IBAN Account
DK7230003112112936